

# PND, PNB, & MBP

Wall Propeller Fans

TECHNICAL SPECIFICATIONS



PENNBARRY™

BULLETIN PN18

# TABLE OF CONTENTS

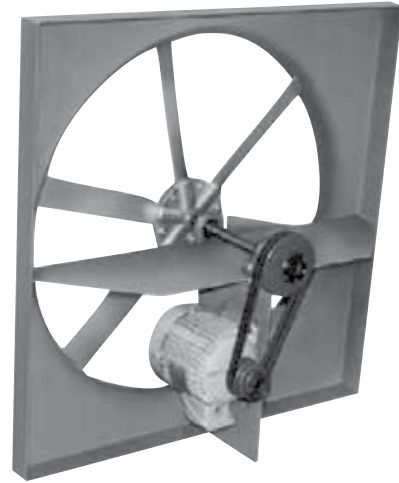
INTRODUCTION	3
CERTIFICATIONS & LISTINGS	4
PND   DIMENSIONAL DATA, DESIGN 1	5
PND   DIMENSIONAL DATA, DESIGN 2	6
PNB   DIMENSIONAL DATA, DESIGN 1 & 2	7
PNB   DIMENSIONAL DATA, DESIGN 3	8
MBP   DIMENSIONAL DATA, MOTOR FRAMES	9
PND   DIRECT DRIVE DIMENSIONAL & PERFORMANCE DATA	10-22
PNB   BELT DRIVE DIMENSIONAL & PERFORMANCE DATA	23-36
MBP   BELT DRIVE DIMENSIONAL & PERFORMANCE DATA	37-41

# INTRODUCTION

PennBarry Wall Mounted Propeller Panel Fans are highly efficient, incorporating deep-spun inlet scrolls to minimize losses due to fan inlet conditions. Rugged construction ensures long life even in the severest industrial application. Panel Fans, which are capable of moving large volumes of air quickly, are in service at industrial plants, power generating stations and commercial applications throughout the country. Even in special applications such as parking garages, mine ventilation, heat exchangers, and drying installations, PennBarry's Panel Fans continue to excel, providing reliable and efficient service for many years.



*Inlet/Outlet Cone*



*Motor Cover*

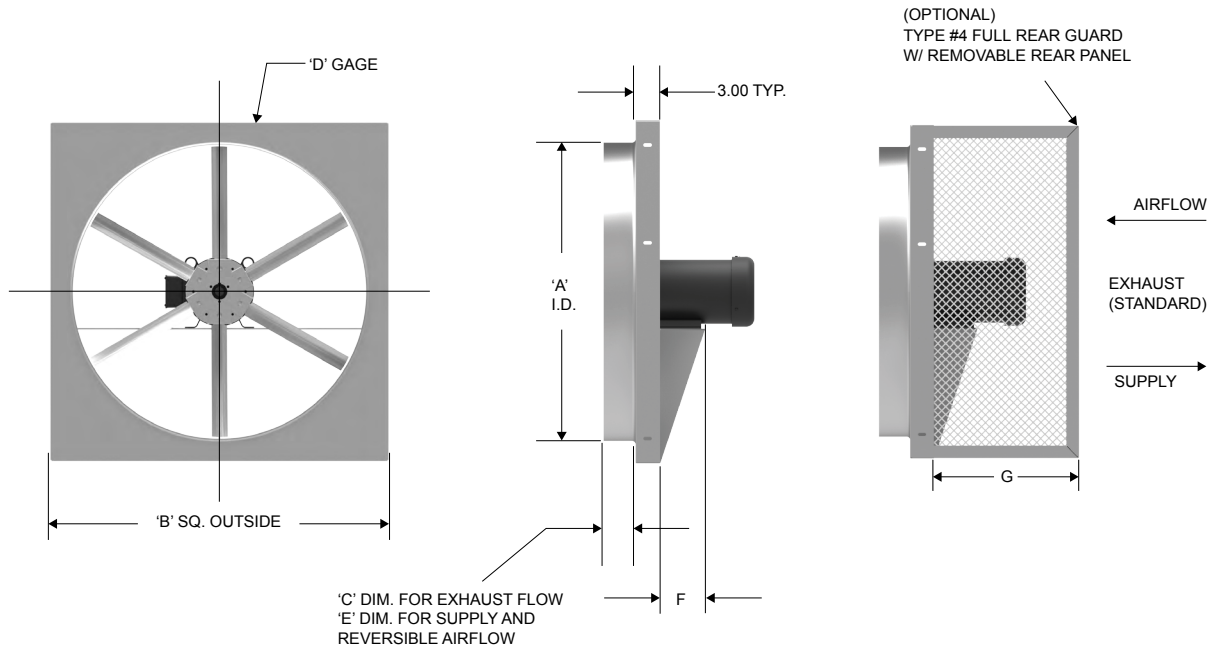
# CERTIFICATIONS & LISTINGS



## AMCA Certification

PennBarry certifies that the Model MBP Panel Fans shown herein are licensed to bear the AMCA Seal. The ratings shown are based on tests and procedures performed in accordance with AMCA Publication 211 and comply with the requirements of the AMCA Certified Ratings Program.

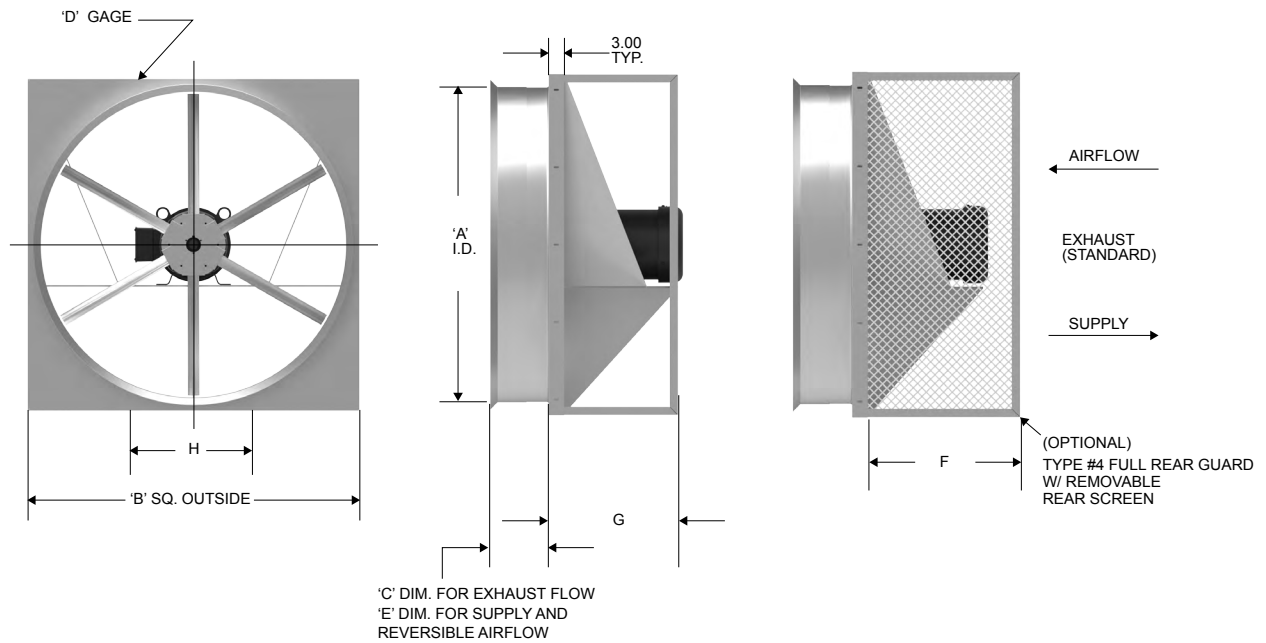
# PND | DIMENSIONAL DATA, DESIGN 1



Size	A	B	C	D	E	F Maximum	G	Max Motor Frame
12	12.19	16	1.5	16	4.63	4.13	7.63	145T
15	15.19	19	2	16	5.13	4.13	7.63	145T
18	18.19	22	2.5	16	5.63	7.31	11.63	184T
21	21.22	25	2.5	16	5.63	7.31	11.63	184T
24	24.25	28	3	16	6.13	6.56	15.88	184T
27	27.28	34	3	16	6.13	6.25	15.88	184T
30	30.31	36	3.5	14	7.5	8.63	18.88	215T
32	32.34	38	3.5	14	7.5	8.63	18.88	215T
36	36.38	42	4	14	9	13.63	18.88	256T
42	42.44	48	4.75	14	9.75	12.75	18.88	256T
48	48.5	54	4.75	14	9.75	12.81	17.88	256T
54	54.56	60	5	14	11.75	12.19	17.88	256T
60	60.63	66	5	14	11.75	11.88	17.88	256T

All dimensions are in inches. Approximate fan weights are less motor and accessories. Propeller is six-bladed cast aluminum. See Direct Drive, Design 2 drawing for larger motor frame sizes. Dimensions should not be used for construction. Certified drawings are available upon request.

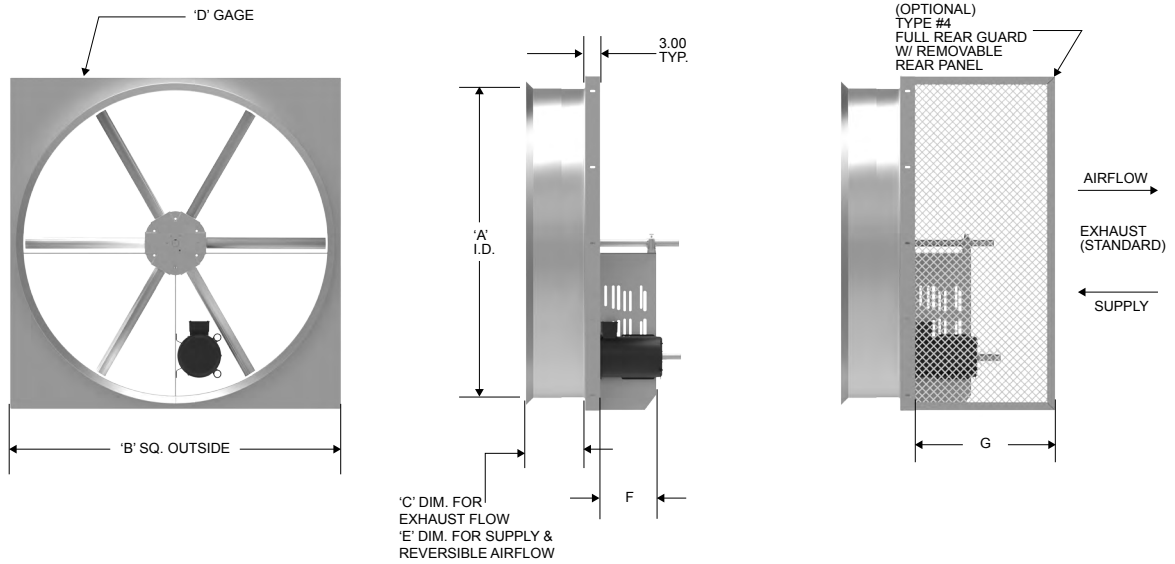
# PND | DIMENSIONAL DATA, DESIGN 2



Size	A	B	C	D	E	F	284-286 Frame		324-326 Frame		364-365 Frame	
							G	H	G	H	G	H
48	48.5	54	4.75	14	9.75	26.88	14.5	24.5	16.25	28.5	17.5	32.5
54	54.65	60	5	14	11.75	26.88	14.5	24.5	16.25	28.5	17.5	32.5
60	60.63	66	5	14	11.75	26.88	14.5	24.5	16.25	28.5	17.5	32.5

All dimensions are in inches. Approximate fan weights are less motor and accessories. Propeller is six-bladed cast aluminum. Dimensions should not be used for construction. Certified drawings are available upon request.

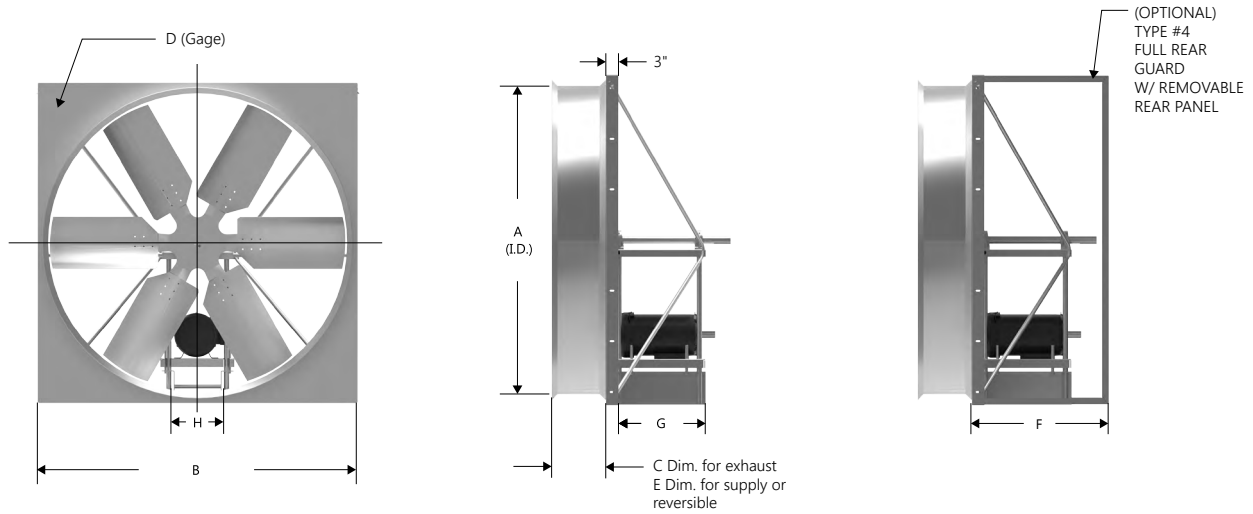
# PNB | DIMENSIONAL DATA, DESIGN 1 & 2



Size	A	B	C	D	E	Design 1			Design 2		
						F	G	Max Motor Frame	F	G	Max Motor Frame
24	24.25	28	3	16	6.13	10	15.88	184T	-	-	-
27	27.28	34	3	16	6.13	10	15.88	184T	-	-	-
30	30.31	36	3.5	14	7.5	13	18.88	215T	-	-	-
32	32.34	38	3.5	14	7.5	13	18.88	215T	-	-	-
36	36.38	42	4	14	9	13	18.88	215T	-	-	-
42	42.44	48	4.75	14	9.75	13	18.88	215T	-	-	-
48	48.5	54	4.75	14	9.75	11	17.88	184T	17	26.88	256T
54	54.56	60	5	14	11.75	11	17.88	184T	17	26.88	256T
60	60.63	66	5	14	11.75	11	17.88	184T	17	26.88	256T

All dimensions are in inches. Approximate fan weights are less motor and accessories. Propeller is six-bladed cast aluminum. Dimensions should not be used for construction. Certified drawings are available upon request.

# PNB | DIMENSIONAL DATA, DESIGN 3



Size	A	B	C	D	E	F	284-286T Frame		324-326T Frame		364-365T Frame	
							G	H	G	H	G	H
48	48.5	54	4.75	14	9.75	35.88	26.25	31	28.25	35	30.75	37
54	54.65	60	5	14	11.75	35.88	26.25	31	28.25	35	30.75	37
60	60.63	66	5	14	11.75	35.88	26.25	31	28.25	35	30.75	37

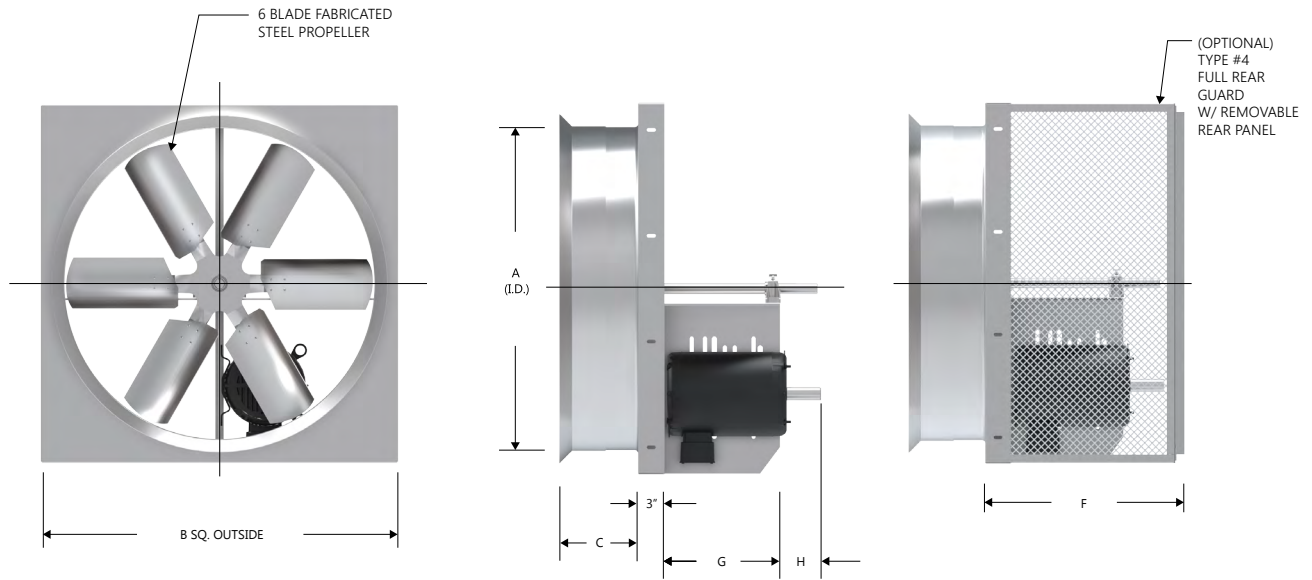
Size	A	B	C	D	E	F per Frame Size		G per Frame Size								
						Up to 320	Over 320	143T-145T	182T-184T	213T-215T	254T-256T	284T-286T	324T-326T	364T-365T	404T-405T	444T-445T
72	72.75	78	8	10	8	36	54	15.25	17	20.5	25	28	30.5	32.5	35	40
84	84.88	90	8	10	8	36	54	15.25	17	20.5	25	28	30.5	32.5	35	40
96	97.00	102	8	10	8	36	54	15.25	17	20.5	25	28	30.5	32.5	35	40
108	109.13	114	8	7	8	36	54	15.25	17	20.5	25	28	30.5	32.5	35	40
120	121.25	126	8	7	8	36	54	15.25	17	20.5	25	28	30.5	32.5	35	40
132	133.38	138	8	0.25	8	36	54	15.25	17	20.5	25	28	30.5	32.5	35	40
145	145.50	150	8	0.25	8	36	54	15.25	17	20.5	25	28	30.5	32.5	35	40

All dimensions are in inches. Approximate fan weights are less motor and accessories. Propeller is six-bladed cast aluminum. Dimensions should not be used for construction. Certified drawings are available upon request.

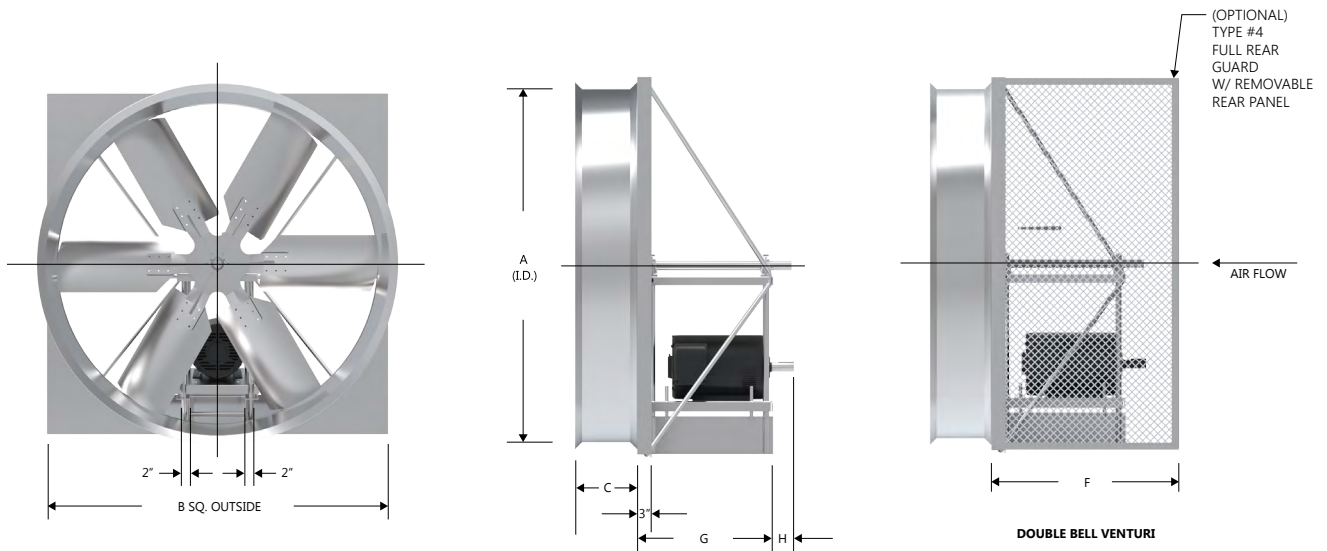


# MBP | DIMENSIONAL DATA, MOTOR FRAMES

## STANDARD MOTOR FRAME 56-256



## LARGE MOTOR FRAME 284-365



Size	A	B	C	Design 1				Design 2				Large Motor Frame			
				F	G	H	Max Motor Frame	F	G	H	Max Motor Frame	F	G	H	Max Motor Frame
24	24.25	28	6.25	18.88	13	3	184T	-	-	-	-	-	-	-	-
27	27.28	34	6.25	18.88	13	3	184T	-	-	-	-	-	-	-	-
32	32.34	38	7.5	21.88	16	3	215T	-	-	-	-	-	-	-	-
36	36.38	42	9	21.88	16	3	215T	-	-	-	-	-	-	-	-
42	42.44	48	9.75	21.88	16	3	215T	-	-	-	-	-	-	-	-
48	48.5	54	9.75	20.88	14	4.75	184T	27.88	20	4.75	256T	30.13	26.38	4.75	286T
54	54.56	60	11.75	20.88	14	4.75	184T	27.88	20	4.75	256T	33.13	28.38	4.75	286T
60	60.63	66	11.75	20.88	14	4.75	184T	27.88	20	4.75	256T	35.88	31	4.75	365T
72	72.75	78	11.75	29.5	20.63	4.75	184T	36	28.38	4.75	256T	40	35.5	4.75	365T

All dimensions are in inches. Dimensions should not be used for construction. Certified drawings are available upon request.

# PND 012 | DIRECT DRIVE DIMENSIONAL & PERFORMANCE DATA

Maximum RPM	Tip Speed (FPM)
3450	3.14 x RPM

RPM	PITCH	0" SP		1/8" SP		1/4" SP		1/2" SP	
		CFM	BHP	CFM	BHP	CFM	BHP	CFM	BHP
1750	14	454	0.01	289	0.02	-	-	-	-
	18	948	0.02	654	0.03	-	-	-	-
	22	1092	0.03	798	0.04	-	-	-	-
	26	1162	0.04	866	0.04	-	-	-	-
	30	1270	0.05	973	0.05	-	-	-	-
3450	14	895	0.1	836	0.14	730	0.15	561	0.16
	18	1869	0.17	1722	0.19	1568	0.2	1270	0.22
	22	2154	0.25	1987	0.27	1841	0.28	1557	0.3
	26	2291	0.29	2129	0.31	1982	0.32	1891	0.34
	30	2503	0.38	2332	0.39	2180	0.41	1896	0.42

Performance shown is for Installation Type A: free inlet, free outlet. Performance ratings do not include the effects of appurtenances.

# PND 015 | DIRECT DRIVE DIMENSIONAL & PERFORMANCE DATA

Maximum RPM	Tip Speed (FPM)
3450	3.93 x RPM

RPM	PITCH	0" SP		1/8" SP		1/4" SP		1/2" SP		1" SP		1 1/4" SP		1 1/2" SP	
		CFM	BHP	CFM	BHP	CFM	BHP	CFM	BHP	CFM	BHP	CFM	BHP	CFM	BHP
1750	14	887	0.04	685	0.05	-	-	-	-	-	-	-	-	-	-
	18	1852	0.07	1487	0.08	1049	0.09	-	-	-	-	-	-	-	-
	22	2134	0.1	1756	0.11	1366	0.12	-	-	-	-	-	-	-	-
	26	2270	0.12	1894	0.13	1479	0.14	-	-	-	-	-	-	-	-
	30	2480	0.15	2095	0.16	1698	0.17	-	-	-	-	-	-	-	-
3450	14	1748	0.31	1674	0.39	1580	0.44	1338	0.46	-	-	-	-	-	-
	18	3651	0.53	3479	0.56	3266	0.6	2910	0.64	1989	0.68	-	-	-	-
	22	4206	0.75	3999	0.8	3792	0.84	3442	0.88	2629	0.92	-	-	-	-
	26	4475	0.9	4272	0.92	4075	0.95	3713	1.01	2846	1.05	-	-	-	-
	30	4889	1.17	4675	1.19	4471	1.21	4110	1.25	3299	1.28	-	-	-	-

Performance shown is for Installation Type A: free inlet, free outlet. Performance ratings do not include the effects of appurtenances.

# PND 018 | DIRECT DRIVE DIMENSIONAL & PERFORMANCE DATA

Maximum RPM	Tip Speed (FPM)
3450	4.71 x RPM

RPM	PITCH	0" SP		1/4" SP		1/2" SP		3/4" SP		1" SP		1 1/4" SP		1 1/2" SP	
		CFM	BHP	CFM	BHP	CFM	BHP	CFM	BHP	CFM	BHP	CFM	BHP	CFM	BHP
1150	14	1781	0.03	-	-	-	-	-	-	-	-	-	-	-	-
	18	2044	0.04	-	-	-	-	-	-	-	-	-	-	-	-
	22	2372	0.06	-	-	-	-	-	-	-	-	-	-	-	-
	26	2579	0.07	-	-	-	-	-	-	-	-	-	-	-	-
	30	2905	0.1	-	-	-	-	-	-	-	-	-	-	-	-
1750	14	2710	0.11	1987	0.16	-	-	-	-	-	-	-	-	-	-
	18	3110	0.14	2361	0.19	-	-	-	-	-	-	-	-	-	-
	22	3610	0.23	2848	0.27	-	-	-	-	-	-	-	-	-	-
	26	3925	0.25	3125	0.3	-	-	-	-	-	-	-	-	-	-
	30	4420	0.34	3646	0.39	-	-	-	-	-	-	-	-	-	-
3450	14	5343	0.83	5040	0.93	4701	1.03	4316	1.12	3858	1.2	-	-	-	-
	18	6131	1.08	5828	1.2	5468	1.3	5049	1.39	4603	1.46	-	-	-	-
	22	7117	1.73	6815	1.81	6459	1.89	6036	1.97	5558	2.04	4996	2.1	-	-
	26	7738	1.93	7385	2.03	7003	2.13	6578	2.23	6105	2.31	5578	2.37	-	-
	30	8714	2.64	8341	2.76	7964	2.86	7568	2.95	7137	3.02	6675	3.06	6171	3.08

Performance shown is for Installation Type A: free inlet, free outlet. Performance ratings do not include the effects of appurtenances.

# PND 021 | DIRECT DRIVE DIMENSIONAL & PERFORMANCE DATA

Maxium RPM	Tip Speed (FPM)
1750	5.50 x RPM

RPM	PITCH	0" SP		1/4" SP		1/2" SP	
		CFM	BHP	CFM	BHP	CFM	BHP
870	14	2139	0.03	-	-	-	-
	18	2455	0.04	-	-	-	-
	22	2850	0.06	-	-	-	-
	26	3099	0.07	-	-	-	-
	30	3489	0.09	-	-	-	-
1150	14	2828	0.07	-	-	-	-
	18	3245	0.09	-	-	-	-
	22	3767	0.14	-	-	-	-
	26	4096	0.15	-	-	-	-
	30	4612	0.17	3090	0.25	-	-
1750	14	4303	0.23	3529	0.31	-	-
	18	4939	0.3	4116	0.39	-	-
	22	5733	0.49	4912	0.55	-	-
	26	6233	0.54	5350	0.62	4134	0.67
	30	7019	0.75	6142	0.83	5097	0.87

Performance shown is for Installation Type A: free inlet, free outlet. Performance ratings do not include the effects of appurtenances.

# PND 024 | DIRECT DRIVE DIMENSIONAL & PERFORMANCE DATA

Maximum RPM	Tip Speed (FPM)
1750	6.28 x RPM

RPM	PITCH	0" SP		1/4" SP		1/2" SP		3/4" SP	
		CFM	BHP	CFM	BHP	CFM	BHP	CFM	BHP
870	14	3193	0.06	-	-	-	-	-	-
	18	3665	0.07	-	-	-	-	-	-
	22	4254	0.13	-	-	-	-	-	-
	26	4625	0.13	-	-	-	-	-	-
	30	5209	0.18	-	-	-	-	-	-
1150	14	4221	0.13	-	-	-	-	-	-
	18	4844	0.17	-	-	-	-	-	-
	22	5623	0.27	3918	0.33	-	-	-	-
	26	6114	0.3	4380	0.37	-	-	-	-
	30	6885	0.41	5250	0.48	-	-	-	-
1750	14	6424	0.46	5572	0.58	4402	0.67	-	-
	18	7372	0.59	6489	0.73	5331	0.82	-	-
	22	8557	0.95	7682	1.05	6450	1.14	-	-
	26	9304	1.06	8335	1.18	7118	1.28	-	-
	30	10477	1.45	9491	1.58	8379	1.67	7055	1.71

Performance shown is for Installation Type A: free inlet, free outlet. Performance ratings do not include the effects of appurtenances.

# PND 027 | DIRECT DRIVE DIMENSIONAL & PERFORMANCE DATA

Maximum RPM	Tip Speed (FPM)
1750	7.07 x RPM

RPM	PITCH	0" SP		1/4" SP		1/2" SP		3/4" SP	
		CFM	BHP	CFM	BHP	CFM	BHP	CFM	BHP
870	14	4547	0.1	-	-	-	-	-	-
	18	5218	0.13	-	-	-	-	-	-
	22	6057	0.21	-	-	-	-	-	-
	26	6586	0.24	-	-	-	-	-	-
	30	7416	0.32	-	-	-	-	-	-
1150	14	6010	0.23	4341	0.34	-	-	-	-
	18	6898	0.3	5178	0.41	-	-	-	-
	22	8006	0.49	6252	0.57	-	-	-	-
	26	8705	0.54	6868	0.65	-	-	-	-
	30	9803	0.74	8029	0.85	-	-	-	-
1750	14	9146	0.82	8216	1	7042	1.15	-	-
	18	10496	1.07	9529	1.26	8302	1.42	-	-
	22	12184	1.72	11224	1.85	9977	1.99	8300	2.09
	26	13247	1.91	12167	2.09	10913	2.25	9378	2.36
	30	14917	2.62	13810	2.81	12642	2.96	11279	3.04

Performance shown is for Installation Type A: free inlet, free outlet. Performance ratings do not include the effects of appurtenances.

# PND 030 | DIRECT DRIVE DIMENSIONAL & PERFORMANCE DATA

Maximum RPM	Tip Speed (FPM)
1750	7.85 x RPM

RPM	PITCH	0" SP		1/4" SP		1/2" SP		3/4" SP		1" SP		1 1/4" SP	
		CFM	BHP	CFM	BHP	CFM	BHP	CFM	BHP	CFM	BHP	CFM	BHP
870	14	6361	0.18	-	-	-	-	-	-	-	-	-	-
	18	7299	0.24	-	-	-	-	-	-	-	-	-	-
	22	8473	0.38	5965	0.46	-	-	-	-	-	-	-	-
	26	9213	0.43	6657	0.52	-	-	-	-	-	-	-	-
	30	10374	0.58	7961	0.67	-	-	-	-	-	-	-	-
1150	14	8408	0.42	664	0.57	-	-	-	-	-	-	-	-
	18	9649	0.55	7818	0.71	-	-	-	-	-	-	-	-
	22	11200	0.88	9358	1	-	-	-	-	-	-	-	-
	26	12177	0.98	10215	1.13	8095	1.21	-	-	-	-	-	-
	30	13713	1.34	11784	1.5	9973	1.56	-	-	-	-	-	-
1750	14	12795	1.48	11786	1.73	10572	1.95	9602	2.1	-	-	-	-
	18	14683	1.93	13637	2.2	12350	2.44	11360	2.58	-	-	-	-
	22	17043	3.09	16004	3.28	14714	3.47	13087	3.64	11499	3.78	-	-
	26	18531	3.45	17345	3.69	16021	3.93	14453	4.12	12818	4.26	-	-
	30	20867	4.73	19640	4.99	18368	5.22	16957	5.38	15306	5.52	1386	5.57

Performance shown is for Installation Type A: free inlet, free outlet. Performance ratings do not include the effects of appurtenances.



# PND 032 | DIRECT DRIVE DIMENSIONAL & PERFORMANCE DATA

Maximum RPM	Tip Speed (FPM)
1750	8.38 x RPM

RPM	PITCH	0" SP		1/4" SP		1/2" SP		3/4" SP		1" SP		1 1/4" SP	
		CFM	BHP	CFM	BHP	CFM	BHP	CFM	BHP	CFM	BHP	CFM	BHP
870	14	7570	0.24	-	-	-	-	-	-	-	-	-	-
	18	8687	0.31	-	-	-	-	-	-	-	-	-	-
	22	10084	0.49	7099	0.6	-	-	-	-	-	-	-	-
	26	10964	0.55	7922	0.67	-	-	-	-	-	-	-	-
	30	12346	0.75	9474	0.87	-	-	-	-	-	-	-	-
1150	14	10006	0.54	8213	0.73	-	-	-	-	-	-	-	-
	18	11483	0.71	9578	0.91	-	-	-	-	-	-	-	-
	22	13329	1.14	11429	1.29	-	-	-	-	-	-	-	-
	26	14492	1.27	12446	1.45	9633	1.57	-	-	-	-	-	-
	30	16320	1.74	14288	1.93	11868	2.02	-	-	-	-	-	-
1750	14	15227	1.92	14166	2.22	12926	2.48	11427	2.73	-	-	-	-
	18	17474	2.5	16375	2.83	15049	3.12	13519	3.35	-	-	-	-
	22	20283	4.01	19190	4.23	17872	4.45	16279	4.68	14374	4.86	-	-
	26	22053	4.47	20797	4.76	19427	5.05	17837	5.29	16023	5.48	-	-
	30	24834	6.13	23526	6.45	22186	6.72	20743	6.94	19133	7.09	17357	7.16

Performance shown is for Installation Type A: free inlet, free outlet. Performance ratings do not include the effects of appurtenances.

# PND 036 | DIRECT DRIVE DIMENSIONAL & PERFORMANCE DATA

Maximum RPM	Tip Speed (FPM)
1750	9.42 x RPM

RPM	PITCH	0" SP		1/4" SP		1/2" SP		3/4" SP		1" SP		1 1/4" SP		1 1/2" SP	
		CFM	BHP	CFM	BHP	CFM	BHP	CFM	BHP	CFM	BHP	CFM	BHP	CFM	BHP
870	14	11159	0.47	7896	0.62	-	-	-	-	-	-	-	-	-	-
	18	13315	0.72	10044	0.89	-	-	-	-	-	-	-	-	-	-
	22	14487	0.89	11315	1.04	-	-	-	-	-	-	-	-	-	-
	26	16379	1.21	13140	1.38	-	-	-	-	-	-	-	-	-	-
	30	18459	1.66	15132	1.78	-	-	-	-	-	-	-	-	-	-
1150	14	14750	1.07	12411	1.31	9634	1.45	-	-	-	-	-	-	-	-
	18	17600	1.66	15295	1.92	12452	2.07	-	-	-	-	-	-	-	-
	22	19150	2.05	16877	2.29	14239	2.44	7627	2.39	-	-	-	-	-	-
	26	21650	2.8	19292	3.07	16646	3.2	-	-	-	-	-	-	-	-
	30	24400	3.84	22028	4.09	19160	4.15	-	-	-	-	-	-	-	-
1750	14	22446	3.79	20907	4.21	19371	4.53	17782	4.82	15972	5.03	13807	5.11	10157	4.98
	18	26783	5.86	25289	6.26	23769	6.65	22139	6.96	20293	7.2	18123	7.35	15619	7.35
	22	29141	7.22	27657	7.59	26175	7.96	24529	8.24	22844	8.49	20918	8.62	18229	8.65
	26	32946	9.87	31396	10.3	29847	10.7	28230	11	26510	11.2	24564	11.3	21946	11.3
	30	37130	13.5	35572	13.9	34014	14.3	32306	14.5	30520	14.5	28272	14.7	25395	14.7

Performance shown is for Installation Type A: free inlet, free outlet. Performance ratings do not include the effects of appurtenances.

# PND 042 | DIRECT DRIVE DIMENSIONAL & PERFORMANCE DATA

Maximum RPM	Tip Speed (FPM)
1150	11.00 x RPM

RPM	PITCH	0" SP		1/4" SP		1/2" SP		3/4" SP		1" SP	
		CFM	BHP	CFM	BHP	CFM	BHP	CFM	BHP	CFM	BHP
870	14	17720	1.01	14075	1.28	8255	1.33	-	-	-	-
	18	21143	1.56	17515	1.85	12461	1.95	-	-	-	-
	22	23005	1.92	19401	2.19	14515	2.3	-	-	-	-
	26	26009	2.62	22323	2.92	17473	2.99	-	-	-	-
	30	29312	3.59	25542	3.84	20222	3.91	-	-	-	-
1150	14	23422	2.32	20693	2.72	17829	3.01	14111	3.14	-	-
	18	27948	3.59	25291	4.01	22376	4.33	18674	4.91	-	-
	22	30409	4.43	27775	4.81	24889	5.11	21587	5.29	13986	5.18
	26	34379	6.05	31629	6.48	28735	6.79	25407	6.92	-	-
	30	38746	8.3	35979	8.7	32961	8.88	29232	9.01	-	-

Performance shown is for Installation Type A: free inlet, free outlet. Performance ratings do not include the effects of appurtenances.

# PND 048 | DIRECT DRIVE DIMENSIONAL & PERFORMANCE DATA

Maximum RPM	Tip Speed (FPM)
1150	12.57 x RPM

RPM	PITCH	0" SP		1/4" SP		1/2" SP		3/4" SP		1" SP		1 1/4" SP	
		CFM	BHP	CFM	BHP	CFM	BHP	CFM	BHP	CFM	BHP	CFM	BHP
870	14	26450	1.96	22328	2.39	17492	2.64	-	-	-	-	-	-
	18	31561	3.03	27501	3.49	22540	3.78	-	-	-	-	-	-
	22	34340	3.74	30343	4.17	25708	4.44	15483	4.37	-	-	-	-
	26	38824	5.11	34668	5.59	30044	5.83	-	-	-	-	-	-
	30	43755	7.01	39575	7.46	34564	7.56	-	-	-	-	-	-
1150	14	34963	4.53	31842	5.15	28727	5.64	25157	5.99	20551	6.11	-	-
	18	41718	7.01	38688	7.64	35549	8.2	31891	8.59	27512	8.8	21104	8.69
	22	45393	8.64	42381	9.21	39245	9.73	35826	10.1	31856	10.3	24157	10.2
	26	51318	11.8	48175	12.4	45031	13.1	41540	13.4	37531	13.5	30100	13.3
	30	57837	16.2	54675	16.8	51420	17.3	47797	17.4	43223	17.6	-	-

Performance shown is for Installation Type A: free inlet, free outlet. Performance ratings do not include the effects of appurtenances.

# PND 054 | DIRECT DRIVE DIMENSIONAL & PERFORMANCE DATA

Maximum RPM	Tip Speed (FPM)
1150	12.57 x RPM

RPM	PITCH	0" SP		1/4" SP		1/2" SP		3/4" SP		1" SP		1 1/4" SP		1 1/2" SP	
		CFM	BHP	CFM	BHP	CFM	BHP	CFM	BHP	CFM	BHP	CFM	BHP	CFM	BHP
870	14	37661	3.53	33022	4.16	28105	4.63	21177	4.76	-	-	-	-	-	-
	18	44937	5.47	40411	6.14	35372	6.63	28957	6.87	-	-	-	-	-	-
	22	48895	6.74	44417	7.36	39370	7.83	33624	8.05	-	-	-	-	-	-
	26	55278	9.21	50603	9.89	45644	10.4	39689	10.5	-	-	-	-	-	-
	30	62300	12.6	57597	13.3	52417	13.5	45751	13.7	-	-	-	-	-	-
1150	14	49781	8.16	46269	9.08	42764	9.79	39103	10.4	34923	10.9	29703	11	20400	10.6
	18	59400	12.6	55991	13.5	52514	14.4	48766	15	44500	15.6	39485	15.8	33346	15.8
	22	64631	15.6	61244	16.4	57856	17.2	54075	17.8	50186	18.3	45674	17.6	38656	18.6
	26	73069	21.3	69532	22.2	65996	23.1	62275	23.7	58349	24.2	53777	24.3	47344	24.2
	30	82350	29.2	78793	30	75235	30.9	71303	31.2	67165	31.3	61898	31.7	54768	31.7

Performance shown is for Installation Type A: free inlet, free outlet. Performance ratings do not include the effects of appurtenances.

# PND 060 | DIRECT DRIVE DIMENSIONAL & PERFORMANCE DATA

Maximum RPM	Tip Speed (FPM)
870	15.71 x RPM

RPM	PITCH	0" SP		1/8" SP		1/4" SP		1/2" SP		1" SP	
		CFM	BHP	CFM	BHP	CFM	BHP	CFM	BHP	CFM	BHP
870	14	51661	5.99	46505	6.88	41273	7.59	35116	8.04	25304	7.94
	18	61642	9.29	56635	10.2	51301	11	44926	11.5	37164	11.6
	22	67071	11.4	62096	12.3	56793	13	50993	13.5	43240	13.7
	26	75827	15.6	70633	16.5	70633	16.5	65317	17.4	51878	17.8
	30	85459	21.4	80234	22.3	74711	22.8	68425	23	59909	23.3

Performance shown is for Installation Type A: free inlet, free outlet. Performance ratings do not include the effects of appurtenances.

# PNB 024 | BELT DRIVE DIMENSIONAL & PERFORMANCE DATA

Maximum RPM	Tip Speed (FPM)
2375	6.28 x RPM

CFM	0" SP		1/8" SP		1/4" SP		3/8" SP		1/2" SP		3/4" SP		1" SP		1 1/4" SP		1 1/2" SP	
	RPM	BHP	RPM	BHP	RPM	BHP	RPM	BHP	RPM	BHP	RPM	BHP	RPM	BHP	RPM	BHP	RPM	BHP
1926	389	0.01	694	0.08	-	-	-	-	-	-	-	-	-	-	-	-	-	-
2568	518	0.03	772	0.11	964	0.22	1139	0.36	-	-	-	-	-	-	-	-	-	-
3210	648	0.05	862	0.15	1037	0.28	1188	0.42	1326	0.58	-	-	-	-	-	-	-	-
3852	777	0.09	960	0.2	1122	0.34	1260	0.5	1387	0.67	1619	1.06	-	-	-	-	-	-
4494	907	0.14	1068	0.27	1212	0.42	1344	0.59	1461	0.78	1675	1.18	1872	1.64	2072	2.17	-	-
5136	1036	0.21	1179	0.35	1307	0.51	1432	0.7	1545	0.9	1746	1.33	1928	1.8	2102	2.32	2278	2.91
5778	1166	0.3	1294	0.45	1413	0.63	1525	0.83	1632	1.04	1825	1.5	1999	2	2159	2.53	2315	3.1
6420	1295	0.41	1412	0.58	1521	0.76	1622	0.97	1724	1.2	1909	1.7	2075	2.22	2231	2.78	2375	3.36
7062	1425	0.55	1532	0.73	1631	0.93	1728	1.15	1818	1.38	1997	1.91	2158	2.47	2305	3.05	-	-
7704	1554	0.72	1653	0.91	1746	1.12	1836	1.35	1921	1.6	2088	2.15	2243	2.74	-	-	-	-
8346	1684	0.91	1775	1.12	1863	1.34	1946	1.58	2027	1.85	2182	2.41	2333	3.04	-	-	-	-
8988	1813	1.14	1898	1.35	1981	1.6	2058	1.84	2136	2.12	2280	2.7	-	-	-	-	-	-

Performance shown is for Installation Type A: free inlet, free outlet. Performance ratings do not include the effects of appurtenances. Power rating (BHP) does not include transmission losses.

# PNB 027 | BELT DRIVE DIMENSIONAL & PERFORMANCE DATA

Maximum RPM	Tip Speed (FPM)
2122	7.07 x RPM

CFM	0" SP		1/8" SP		1/4" SP		3/8" SP		1/2" SP		3/4" SP		1" SP		1 1/4" SP		1 1/2" SP	
	RPM	BHP	RPM	BHP	RPM	BHP	RPM	BHP	RPM	BHP	RPM	BHP	RPM	BHP	RPM	BHP	RPM	BHP
2436	345	0.01	617	0.11	-	-	-	-	-	-	-	-	-	-	-	-	-	-
3248	460	0.03	686	0.14	857	0.28	1012	0.46	-	-	-	-	-	-	-	-	-	-
4060	575	0.07	766	0.19	922	0.35	1055	0.53	1179	0.74	-	-	-	-	-	-	-	-
4872	690	0.11	853	0.25	997	0.43	1120	0.63	1233	0.85	1439	1.34	-	-	-	-	-	-
5684	805	0.18	949	0.34	1077	0.53	1194	0.75	1298	0.98	1488	1.49	1664	2.07	1842	2.74	-	-
6496	920	0.27	1047	0.44	1162	0.65	1273	0.89	1373	1.14	1552	1.68	1713	2.27	1868	2.93	2924	3.68
7308	1036	0.38	1150	0.57	1255	0.79	1355	1.04	1450	1.32	1622	1.9	1777	2.53	1919	3.2	2057	3.92
8120	1151	0.52	1255	0.73	1351	0.97	1442	1.23	1532	1.52	1697	2.15	1844	2.81	1982	3.51	2111	4.25
8932	126	0.7	1361	0.92	1449	1.17	1535	1.45	1615	1.75	1774	2.42	1918	3.12	2048	3.86	-	-
9744	1381	0.9	1468	1.15	1551	1.41	1631	1.71	1707	2.02	1856	2.72	1993	3.47	2122	4.24	-	-
10556	1496	1.15	1577	1.41	1655	1.69	1729	2	1801	2.33	1939	3.05	2073	3.84	-	-	-	-
11368	1611	1.44	1686	1.71	1760	2.02	1828	2.33	1897	2.68	2025	3.42	-	-	-	-	-	-

Performance shown is for Installation Type A: free inlet, free outlet. Performance ratings do not include the effects of appurtenances. Power rating (BHP) does not include transmission losses.



# PNB 030 | BELT DRIVE DIMENSIONAL & PERFORMANCE DATA

Maximum RPM	Tip Speed (FPM)
1922	7.85 x RPM

CFM	0" SP		1/8" SP		1/4" SP		3/8" SP		1/2" SP		3/4" SP		1" SP		1 1/4" SP		1 1/2" SP	
	RPM	BHP	RPM	BHP	RPM	BHP	RPM	BHP	RPM	BHP	RPM	BHP	RPM	BHP	RPM	BHP	RPM	BHP
3026	313	0.02	559	0.13	-	-	-	-	-	-	-	-	-	-	-	-	-	-
4035	417	0.04	622	0.18	777	0.35	917	0.57	-	-	-	-	-	-	-	-	-	-
5044	521	0.08	694	0.24	836	0.43	956	0.66	1069	0.91	-	-	-	-	-	-	-	-
6053	625	0.14	773	0.31	903	0.54	1015	0.79	1117	1.05	1304	1.66	-	-	-	-	-	-
7062	729	0.22	860	0.42	976	0.66	1082	0.93	1176	1.22	1348	1.85	1508	2.57	1669	3.4	-	-
8070	834	0.34	949	0.55	1053	0.81	1153	1.11	1244	1.42	1406	2.09	1552	2.82	1692	3.64	1834	4.56
9079	938	0.48	1042	0.71	1137	0.98	1228	1.3	1314	1.64	1470	2.36	1610	3.14	1739	3.97	1864	4.87
10088	1042	0.65	1137	0.91	1224	1.2	1306	1.53	1388	1.89	1537	2.67	1670	3.49	1796	4.3	1913	5.28
11097	1147	0.87	1233	1.14	1313	1.45	1391	1.8	1464	2.18	1608	3.01	1738	3.87	1856	4.79	-	-
12106	1251	1.12	1330	1.43	1405	1.75	1478	2.12	1547	2.51	1681	3.37	1806	4.31	1922	5.27	-	-
13114	1355	1.43	1429	1.75	1500	2.1	1566	2.48	1632	2.89	1757	3.79	1878	4.77	-	-	-	-
14123	1459	1.78	1528	2.12	1594	2.51	1656	2.89	1719	3.33	1835	4.25	-	-	-	-	-	-

Performance shown is for Installation Type A: free inlet, free outlet. Performance ratings do not include the effects of appurtenances. Power rating (BHP) does not include transmission losses.

# PNB 032 | BELT DRIVE DIMENSIONAL & PERFORMANCE DATA

Maximum RPM	Tip Speed (FPM)
1790	8.38 x RPM

CFM	0" SP		1/8" SP		1/4" SP		3/8" SP		1/2" SP		3/4" SP		1" SP		1 1/4" SP		1 1/2" SP	
	RPM	BHP	RPM	BHP	RPM	BHP	RPM	BHP	RPM	BHP	RPM	BHP	RPM	BHP	RPM	BHP	RPM	BHP
3420	291	0.02	520	0.15	-	-	-	-	-	-	-	-	-	-	-	-	-	-
4560	388	0.05	579	0.2	723	0.4	854	0.65	-	-	-	-	-	-	-	-	-	-
5700	485	0.09	646	0.27	778	0.49	890	0.75	995	1.03	-	-	-	-	-	-	-	-
6840	582	0.16	720	0.35	841	0.61	945	0.89	1040	1.19	1214	1.88	-	-	-	-	-	-
7980	679	0.25	800	0.47	909	0.74	1007	1.05	1095	1.38	1255	2.09	1404	2.91	1554	3.85	-	-
9120	776	0.38	883	0.62	980	0.91	1073	1.25	1158	1.6	1309	2.37	1445	3.19	1576	4.12	1708	5.16
10260	873	0.54	970	0.8	1059	1.11	1143	1.47	1223	1.85	1368	2.67	1499	3.55	1619	4.49	1736	5.51
11400	970	0.73	1058	1.03	1140	1.36	1216	1.73	1292	2.14	1431	3.01	1555	3.95	1672	4.93	1781	5.97
12540	1067	0.98	1148	1.29	1222	1.64	1295	2.04	1363	2.46	1497	3.4	1618	4.38	1728	5.42	-	-
13680	1164	1.27	1238	1.61	1308	1.98	1376	2.4	1440	2.84	1565	3.81	1682	4.87	1790	5.96	-	-
14820	1261	1.61	1330	1.98	1396	2.38	1458	2.8	1519	3.27	1635	4.28	1749	5.39	-	-	-	-
15960	1358	2.01	1422	2.4	1484	2.83	1542	3.27	1600	3.76	1708	4.8	-	-	-	-	-	-

Performance shown is for Installation Type A: free inlet, free outlet. Performance ratings do not include the effects of appurtenances. Power rating (BHP) does not include transmission losses.

# PNB 036 | BELT DRIVE DIMENSIONAL & PERFORMANCE DATA

Maximum RPM	Tip Speed (FPM)
1576	9.42 x RPM

CFM	0" SP		1/8" SP		1/4" SP		3/8" SP		1/2" SP		3/4" SP		1" SP		1 1/4" SP	
	RPM	BHP	RPM	BHP	RPM	BHP	RPM	BHP	RPM	BHP	RPM	BHP	RPM	BHP	RPM	BHP
4332	263	0.03	501	0.22	677	0.55	-	-	-	-	-	-	-	-	-	-
5776	350	0.07	545	0.29	700	0.6	833	1.02	-	-	-	-	-	-	-	-
7220	438	0.13	599	0.38	741	0.72	861	1.12	967	1.59	-	-	-	-	-	-
8664	525	0.23	660	0.5	788	0.87	902	1.3	1002	1.77	1182	2.9	1354	4.39	-	-
10108	613	0.36	729	0.66	843	1.05	948	1.51	1044	2.01	1215	3.15	1366	4.47	1517	6.16
11552	700	0.53	806	0.88	903	1.28	1000	1.76	1091	2.3	1254	3.48	1400	4.81	1532	6.31
12996	788	0.76	884	1.15	966	1.55	1056	2.06	1142	2.62	1298	3.87	1438	5.24	1567	6.75
14440	876	1.04	964	1.47	1039	1.9	1118	2.42	1197	3.01	1346	4.31	1481	5.75	-	-
15884	963	1.39	1045	1.86	1115	2.33	1182	2.84	1257	3.45	1397	4.81	1528	6.31	-	-
16328	1051	1.8	1126	2.32	1193	2.83	1253	3.35	1320	3.97	1453	5.38	1576	6.92	-	-
18772	1138	2.29	1209	2.85	1272	3.41	1329	3.97	1384	4.55	151	6.01	-	-	-	-
20216	1226	2.86	1292	3.46	1352	4.07	1407	4.67	1458	5.27	1572	6.74	-	-	-	-

Performance shown is for Installation Type A: free inlet, free outlet. Performance ratings do not include the effects of appurtenances. Power rating (BHP) does not include transmission losses

# PNB 042 | BELT DRIVE DIMENSIONAL & PERFORMANCE DATA

Maximum RPM	Tip Speed (FPM)
1351	11.00 x RPM

CFM	0" SP		1/8" SP		1/4" SP		3/8" SP		1/2" SP		3/4" SP		1" SP		1 1/4" SP	
	RPM	BHP	RPM	BHP	RPM	BHP	RPM	BHP	RPM	BHP	RPM	BHP	RPM	BHP	RPM	BHP
5892	225	0.04	429	0.3	580	0.75	-	-	-	-	-	-	-	-	-	-
7856	300	0.09	467	0.39	600	0.82	714	1.38	-	-	-	-	-	-	-	-
9820	375	0.18	513	0.51	635	0.98	738	1.52	829	2.16	-	-	-	-	-	-
11784	450	0.31	565	0.67	675	1.18	773	1.76	859	2.4	1013	3.94	1161	5.97	-	-
13748	525	0.49	625	0.9	722	1.43	813	2.05	895	2.74	1041	4.28	1171	6.08	1300	8.39
15712	600	0.72	690	1.19	773	1.74	857	2.39	935	3.12	1075	4.73	1200	6.55	1313	8.58
17676	675	1.03	757	1.56	828	2.11	905	2.8	978	3.57	1112	5.27	1233	7.13	1343	9.19
19640	750	1.42	826	2	890	2.59	958	3.29	1026	4.09	1153	5.86	1269	7.82	-	-
21604	825	1.88	895	2.53	955	3.17	1013	3.86	1077	4.7	1197	6.54	1309	8.58	-	-
23568	900	2.45	965	3.15	1022	3.85	1074	4.55	1131	5.4	1245	7.31	1351	9.41	-	-
25532	975	3.11	1035	3.87	1090	4.64	1139	5.39	1186	6.18	1294	-	-	-	-	-
27496	1050	3.88	1106	4.7	1158	5.53	1205	6.34	1249	7.16	1347	-	-	-	-	-

Performance shown is for Installation Type A: free inlet, free outlet. Performance ratings do not include the effects of appurtenances. Power rating (BHP) does not include transmission losses.

# PNB 048 | BELT DRIVE DIMENSIONAL & PERFORMANCE DATA

Maximum RPM	Tip Speed (FPM)
1150	12.57 x RPM

CFM	0" SP		1/8" SP		1/4" SP		3/8" SP		1/2" SP		3/4" SP		1" SP		1 1/4" SP	
	RPM	BHP	RPM	BHP	RPM	BHP	RPM	BHP	RPM	BHP	RPM	BHP	RPM	BHP	RPM	BHP
7698	197	0.05	376	0.39	508	0.98	-	-	-	-	-	-	-	-	-	-
10264	263	0.12	409	0.51	525	1.07	625	1.81	-	-	-	-	-	-	-	-
12830	328	0.23	449	0.67	555	1.28	645	1.99	725	2.82	-	-	-	-	-	-
15396	394	0.4	495	0.88	591	1.54	676	2.3	751	3.14	886	5.15	1015	7.8	-	-
17962	459	0.63	547	1.17	632	1.86	711	2.68	783	3.58	911	5.59	1024	7.94	1138	11
20528	525	0.95	604	1.56	677	2.27	750	3.13	818	4.08	41	6.18	1050	8.55	1149	11.2
23094	591	1.35	663	2.04	725	2.75	792	3.66	856	4.66	973	6.88	1079	9.31	1175	12
25660	656	1.85	723	2.62	779	3.38	838	4.3	898	5.35	1009	7.66	1111	10.2	-	-
28226	722	2.46	783	3.3	836	4.14	886	5.04	942	6.14	1047	8.54	1146	11.2	-	-
30792	788	3.2	844	4.11	895	5.03	940	5.95	990	7.05	1089	9.56	1782	12.3	-	-
33358	853	4.06	906	5.05	954	6.06	997	7.05	1038	8.08	1132	10.7	-	-	-	-
35924	919	5.08	968	6.14	1014	7.23	1055	8.29	1093	9.36	1179	12	-	-	-	-

Performance shown is for Installation Type A: free inlet, free outlet. Performance ratings do not include the effects of appurtenances. Power rating (BHP) does not include transmission losses.

# PNB 054 | BELT DRIVE DIMENSIONAL & PERFORMANCE DATA

Maximum RPM	Tip Speed (FPM)
1086	14.14 x RPM

CFM	0" SP		1/8" SP		1/4" SP		3/8" SP		1/2" SP		3/4" SP		1" SP		1 1/4" SP	
	RPM	BHP	RPM	BHP	RPM	BHP	RPM	BHP	RPM	BHP	RPM	BHP	RPM	BHP	RPM	BHP
9744	175	0.06	334	0.5	451	1.23	-	-	-	-	-	-	-	-	-	-
12992	233	0.15	34	0.65	467	1.35	555	2.29	-	-	-	-	-	-	-	-
16240	292	0.29	399	0.85	494	1.62	574	2.52	645	3.57	-	-	-	-	-	-
19488	350	0.51	440	1.12	525	1.95	601	2.91	668	3.97	788	6.52	903	9.98	-	-
22736	408	0.8	486	1.48	562	2.36	632	3.39	969	4.53	810	7.08	910	10.1	1011	13.9
25984	467	1.2	537	1.97	602	2.87	667	3.96	727	5.17	836	7.83	933	10.8	1021	14.2
29332	525	1.71	589	2.58	644	3.48	704	4.64	761	5.9	865	8.71	959	11.8	1045	15.2
32480	584	2.34	642	3.31	692	4.28	745	5.45	798	6.77	897	9.7	987	12.9	-	-
35728	642	3.12	696	4.18	743	5.25	788	6.38	838	7.77	931	10.8	1018	14.2	-	-
38976	700	4.05	751	5.21	795	6.37	835	7.54	880	8.93	968	12.1	1051	15.6	-	-
42224	759	5.15	806	6.4	848	7.67	886	8.92	923	10.2	1006	13.5	1086	17.1	-	-
45472	817	6.43	861	7.77	901	9.15	938	10.5	972	11.9	1048	15.2	-	-	-	-

Performance shown is for Installation Type A: free inlet, free outlet. Performance ratings do not include the effects of appurtenances. Power rating (BHP) does not include transmission losses.

# PNB 060 | BELT DRIVE DIMENSIONAL & PERFORMANCE DATA

Maximum RPM	Tip Speed (FPM)
946	15.71 x RPM

CFM	0" SP		1/8" SP		1/4" SP		3/8" SP		1/2" SP		3/4" SP		1" SP		1 1/4" SP	
	RPM	BHP	RPM	BHP	RPM	BHP	RPM	BHP	RPM	BHP	RPM	BHP	RPM	BHP	RPM	BHP
12030	158	0.08	301	0.61	406	1.52	-	-	-	-	-	-	-	-	-	-
16040	210	0.19	327	0.8	420	1.67	500	2.83	-	-	-	-	-	-	-	-
20050	263	0.3	359	1.04	444	2	516	3.11	580	4.4	-	-	-	-	-	-
24060	315	0.62	396	1.38	473	2.4	541	3.6	601	4.9	709	8.05	812	12.2	-	-
28070	368	0.99	437	1.83	506	2.91	569	4.19	627	5.59	729	8.74	819	12.4	910	17.1
32080	420	1.48	483	2.44	541	3.54	600	4.89	654	6.38	753	9.66	840	13.4	919	17.5
36090	473	2.11	530	3.19	580	4.3	634	5.72	685	7.29	779	10.8	863	14.5	940	18.8
40100	525	2.89	578	4.09	623	5.28	671	6.72	718	8.36	807	12	889	16	-	-
44110	578	3.85	627	5.16	669	6.48	709	7.88	754	9.59	838	13.4	917	17.5	-	-
48120	630	5	676	6.43	716	7.87	752	9.3	792	11	871	14.9	946	19.2	-	-
52130	783	6.35	725	7.9	763	9.47	798	11	830	12.6	906	16.7	-	-	-	-
56140	735	7.94	775	9.6	811	11.3	844	13	875	14.6	943	18.7	-	-	-	-

Performance shown is for Installation Type A: free inlet, free outlet. Performance ratings do not include the effects of appurtenances. Power rating (BHP) does not include transmission losses.

# PNB 072 | BELT DRIVE DIMENSIONAL & PERFORMANCE DATA

Maximum RPM	Tip Speed (FPM)
795	18.85 x RPM

CFM	0" SP		1/8" SP		1/4" SP		3/8" SP		1/2" SP		3/4" SP		1" SP	
	RPM	BHP	RPM	BHP	RPM	BHP	RPM	BHP	RPM	BHP	RPM	BHP	RPM	BHP
17332	135	0.11	259	0.93	-	-	-	-	-	-	-	-	-	-
23096	179	0.27	275	1.14	364	2.57	-	-	-	-	-	-	-	-
28870	224	0.53	303	1.51	376	2.88	446	4.76	-	-	-	-	-	-
34644	269	0.92	336	2.02	398	3.43	458	5.23	517	7.44	-	-	-	-
40418	314	1.46	371	2.68	426	4.2	479	5.98	530	8.1	631	13.4	-	-
46192	359	2.18	410	3.55	458	5.16	505	7.01	551	9.11	641	14.3	728	20.6
51966	404	3.1	449	4.63	493	6.34	535	8.29	576	10.4	656	15.4	737	21.6
57740	448	4.26	490	5.93	528	7.73	568	9.81	606	12.1	679	17.1	751	23.1
63514	493	5.67	531	7.49	567	9.45	602	11.6	637	13.9	705	19.1	771	25
69288	538	7.35	573	9.34	606	11.4	638	13.6	671	16.1	734	21.5	795	27.5
75062	583	9.35	616	11.5	646	13.7	676	16.1	706	18.6	765	24.2	-	-
80836	628	11.7	658	14	687	16.4	715	18.9	742	21.4	-	-	-	-

Performance shown is for Installation Type A: free inlet, free outlet. Performance ratings do not include the effects of appurtenances. Power rating (BHP) does not include transmission losses.



# PNB 084 | BELT DRIVE DIMENSIONAL & PERFORMANCE DATA

Maximum RPM	Tip Speed (FPM)
682	21.99 x RPM

CFM	0" SP		1/8" SP		1/4" SP		3/8" SP		1/2" SP		3/4" SP		1" SP	
	RPM	BHP	RPM	BHP	RPM	BHP	RPM	BHP	RPM	BHP	RPM	BHP	RPM	BHP
23574	115	0.16	222	1.27	-	-	-	-	-	-	-	-	-	-
31432	154	0.37	236	1.55	312	3.5	-	-	-	-	-	-	-	-
39290	192	0.72	260	2.05	322	3.92	383	6.48	-	-	-	-	-	-
47148	231	1.25	288	2.75	341	4.67	393	7.12	444	10.1	-	-	-	-
55004	269	1.99	318	3.64	365	5.72	410	8.14	455	11	541	18.2	-	-
62864	307	2.97	351	4.83	392	7.02	433	9.54	472	12.4	550	19.4	624	28
70722	346	4.22	385	6.29	422	8.62	459	11.3	494	14.2	562	20.9	632	29.4
78580	384	5.79	420	8.07	453	10.5	487	13.4	519	16.4	582	23.3	644	31.4
86430	423	7.71	455	10.2	486	12.9	516	15.8	546	19	604	26	661	34.1
94296	461	10	491	12.7	520	15.6	547	18.6	575	22	630	29.3	682	37.4
102154	500	12.7	528	15.6	554	18.7	579	21.9	605	25.3	656	32.9	-	-
110012	538	15.9	564	19	589	22.3	613	25.7	636	29.1	-	-	-	-

Performance shown is for Installation Type A: free inlet, free outlet. Performance ratings do not include the effects of appurtenances. Power rating (BHP) does not include transmission losses.

# PNB 096 | BELT DRIVE DIMENSIONAL & PERFORMANCE DATA

Maximum RPM	Tip Speed (FPM)
596	25.13 x RPM

CFM	0" SP		1/8" SP		1/4" SP		3/8" SP		1/2" SP		3/4" SP		1" SP	
	RPM	BHP	RPM	BHP	RPM	BHP	RPM	BHP	RPM	BHP	RPM	BHP	RPM	BHP
30792	101	0.2	194	1.65	-	-	-	-	-	-	-	-	-	-
41056	135	0.48	207	2.02	273	4.57	-	-	-	-	-	-	-	-
51320	168	0.95	227	2.68	282	5.12	335	8.46	-	-	-	-	-	-
61584	202	1.63	252	3.59	298	6.1	344	9.29	388	13.2	-	-	-	-
71848	235	2.59	278	4.76	320	7.47	359	10.6	398	14.4	473	23.8	-	-
82112	269	3.87	307	6.3	343	9.17	379	12.5	413	16.2	481	25.4	546	36.6
92376	303	5.51	337	8.22	369	11.3	401	14.7	432	18.5	492	27.3	553	38.4
102640	336	7.56	367	10.5	396	13.7	426	17.4	454	21.4	509	30.4	563	41
112904	370	10.1	398	13.3	425	16.8	452	20.6	478	24.8	528	33.9	578	44.5
123168	404	13.1	430	16.6	455	20.3	478	24.2	503	28.7	551	38.2	596	48.8
133432	437	16.6	462	20.4	485	24.4	507	28.6	530	33.1	574	43	-	-
143696	471	20.8	494	24.9	515	29.1	536	33.5	556	38.1	-	-	-	-

Performance shown is for Installation Type A: free inlet, free outlet. Performance ratings do not include the effects of appurtenances. Power rating (BHP) does not include transmission losses.

# PNB 120 | BELT DRIVE DIMENSIONAL & PERFORMANCE DATA

Maximum RPM	Tip Speed (FPM)
477	31.42 x RPM

CFM	0" SP		1/8" SP		1/4" SP		3/8" SP		1/2" SP		3/4" SP		1" SP	
	RPM	BHP	RPM	BHP	RPM	BHP	RPM	BHP	RPM	BHP	RPM	BHP	RPM	BHP
48084	81	0.32	155	2.58	-	-	-	-	-	-	-	-	-	-
64112	108	0.76	165	3.16	218	7.14	-	-	-	-	-	-	-	-
80140	134	1.47	182	4.18	225	8	268	13.2	-	-	-	-	-	-
96168	161	2.55	201	5.6	239	9.53	275	14.5	310	20.7	-	-	-	-
112196	188	4.05	222	7.43	256	11.7	287	16.6	318	22.5	378	37.2	-	-
128224	215	6.04	246	9.85	275	14.3	303	19.4	330	25.3	385	39.6	437	57.1
144252	242	8.6	269	12.8	295	17.6	321	23	345	28.9	393	42.6	442	60.1
160280	269	11.8	294	16.4	317	21.4	341	27.2	363	33.5	407	47.5	451	64
176308	296	15.7	318	20.8	340	26.2	361	32.2	382	38.7	423	53	463	69.5
192336	323	20.4	344	25.9	364	31.7	382	37.8	403	44.8	441	59.7	477	76.2
208364	350	25.9	369	31.9	388	38.1	405	44.6	423	51.7	459	67.2		
224392	376	32.4	395	38.8	412	45.4	429	52.3	445	59.4				

Performance shown is for Installation Type A: free inlet, free outlet. Performance ratings do not include the effects of appurtenances. Power rating (BHP) does not include transmission losses.

# PNB 144 | BELT DRIVE DIMENSIONAL & PERFORMANCE DATA

Maximum RPM	Tip Speed (FPM)
386	37.70 x RPM

CFM	0" SP		1/8" SP		1/4" SP		3/8" SP		1/2" SP		3/4" SP		1" SP	
	RPM	BHP	RPM	BHP	RPM	BHP	RPM	BHP	RPM	BHP	RPM	BHP	RPM	BHP
69246	67	0.46	129	3.72	-	-	-	-	-	-	-	-	-	-
92328	90	1.09	138	4.55	182	10.3	-	-	-	-	-	-	-	-
115410	112	2.12	151	6.02	188	11.5	223	19	-	-	-	-	-	-
138492	134	3.67	168	8.06	199	13.7	229	20.9	259	29.7	-	-	-	-
161574	157	5.83	185	10.7	213	16.8	239	23.9	265	32.4	315	53.6	-	-
184656	179	8.7	205	14.2	229	20.6	252	28	275	36.4	321	57	364	82.2
207738	202	12.4	225	18.5	246	25.3	267	33.1	288	41.6	328	61.4	369	86.5
230820	224	17	245	23.7	264	30.9	284	39.2	303	48.2	340	68.4	376	92.2
253902	246	22.6	265	29.9	283	37.7	301	46.3	318	55.7	352	76.3	386	100
276984	269	29.4	286	37.3	303	45.7	319	54.5	335	64.5	367	86	-	-
300066	291	37.3	308	45.9	323	54.9	338	64.2	353	74.4	382	96.7	-	-
323148	314	46.6	329	55.9	343	65.4	357	75.4	371	85.6	-	-	-	-

Performance shown is for Installation Type A: free inlet, free outlet. Performance ratings do not include the effects of appurtenances. Power rating (BHP) does not include transmission losses.

# MBP 024 | BELT DRIVE DIMENSIONAL & PERFORMANCE DATA

Tip Speed (FPM)										Maximum BHP								
6.28 x RPM										0.74 x (RPM/1000) <sup>3</sup>								

CFM	0" SP		1/8" SP		1/4" SP		3/8" SP		1/2" SP		3/4" SP		1" SP		1 1/4" SP		1 1/2" SP	
	RPM	BHP	RPM	BHP	RPM	BHP	RPM	BHP	RPM	BHP	RPM	BHP	RPM	BHP	RPM	BHP	RPM	BHP
1926	286	0.01	-	-	-	-	-	-	-	-	-	-	-	-	-	-	-	-
2568	381	0.03	546	0.12	-	-	-	-	-	-	-	-	-	-	-	-	-	-
3210	477	0.06	605	0.16	747	0.3	-	-	-	-	-	-	-	-	-	-	-	-
3852	572	0.11	676	0.21	790	0.35	911	0.54	-	-	-	-	-	-	-	-	-	-
4494	667	0.18	753	0.29	850	0.43	949	0.61	1054	0.84	-	-	-	-	-	-	-	-
5136	762	0.26	835	0.38	920	0.54	1006	0.72	1093	0.93	1281	1.49	-	-	-	-	-	-
5778	858	0.37	920	0.5	995	0.67	1071	0.86	1146	1.07	1304	1.58	1478	2.29	-	-	-	-
6420	953	0.51	1008	0.65	1073	0.83	1141	1.03	1210	1.25	1348	1.75	1494	2.38	1652	3.19	-	-
7062	1048	0.68	1097	0.83	1155	1.02	1216	1.23	1279	1.46	1402	1.96	1531	2.56	1666	3.29	1812	4.21
7704	1144	0.88	1187	1.04	1239	1.24	1294	1.46	1352	1.7	1466	2.23	1581	2.82	1697	3.49	1822	4.31
8346	1239	1.12	1279	1.29	1325	1.49	1375	1.73	1427	1.98	1533	2.53	1639	3.13	1743	3.78	1855	4.56
8988	1334	1.4	1371	1.59	1412	1.79	1457	2.03	1505	2.29	1605	2.87	1701	3.48	1799	4.15	1898	4.88

Performance certified is for installation type A: free inlet, free outlet. Performance ratings do not include the effects of appurtenances. Power rating (BHP) does not include transmission losses.

# MBP 027 | BELT DRIVE DIMENSIONAL & PERFORMANCE DATA

Tip Speed (FPM)										Maximum BHP								
7.07 x RPM										1.34 x (RPM/1000) <sup>3</sup>								

CFM	0" SP		1/8" SP		1/4" SP		3/8" SP		1/2" SP		3/4" SP		1" SP		1 1/4" SP		1 1/2" SP	
	RPM	BHP	RPM	BHP	RPM	BHP	RPM	BHP	RPM	BHP	RPM	BHP	RPM	BHP	RPM	BHP	RPM	BHP
2436	254	0.02	-	-	-	-	-	-	-	-	-	-	-	-	-	-	-	-
3248	339	0.04	485	0.15	-	-	-	-	-	-	-	-	-	-	-	-	-	-
4060	423	0.08	537	0.2	663	0.37	-	-	-	-	-	-	-	-	-	-	-	-
4872	508	0.14	600	0.27	702	0.44	810	0.68	-	-	-	-	-	-	-	-	-	-
5684	593	0.22	669	0.36	756	0.55	843	0.77	937	1.05	-	-	-	-	-	-	-	-
6496	677	0.33	742	0.48	818	0.69	894	0.91	970	1.17	1139	1.89	-	-	-	-	-	-
7308	762	0.47	817	0.63	884	0.85	951	1.09	1019	1.36	1159	2	1315	2.9	-	-	-	-
8120	847	0.65	895	0.82	953	1.05	1014	1.31	1075	1.58	1197	2.21	1327	3	1470	4.05	-	-
8932	932	0.86	974	1.05	1026	1.28	1081	1.56	1136	1.85	1247	2.49	1360	3.23	1480	4.16	1544	4.71
9744	1016	1.12	1055	1.32	1101	1.56	1150	1.85	1201	2.15	1302	2.82	1403	3.55	1509	4.42	1563	4.91
10556	1101	1.42	1136	1.63	1176	1.89	1222	2.18	1268	2.5	1362	3.2	1455	3.95	1550	4.79	-	-
11368	1186	1.78	1218	2	1255	2.27	1295	2.57	1338	2.9	1425	3.63	1512	4.41	-	-	-	-

Performance certified is for installation type A: free inlet, free outlet. Performance ratings do not include the effects of appurtenances. Power rating (BHP) does not include transmission losses.

# MBP 032 | BELT DRIVE DIMENSIONAL & PERFORMANCE DATA

Tip Speed (FPM)										Maximum BHP									
9.42 x RPM										5.59 x (RPM/1000) <sup>3</sup>									

Min. CFM @ PS =		295		3303		4671		5721		6606		7385		8090		9342		10445	
CFM	OV	0.001		0.125		0.250		0.375		0.500		0.625		0.750		1.000		1.250	
		RPM	BHP	RPM	BHP	RPM	BHP	RPM	BHP	RPM	BHP	RPM	BHP	RPM	BHP	RPM	BHP	RPM	BHP
3420	603	236	0.03	401	0.16	-	-	-	-	-	-	-	-	-	-	-	-	-	-
4560	804	314	0.06	439	0.21	-	-	-	-	-	-	-	-	-	-	-	-	-	-
5700	1005	392	0.12	489	0.28	593	0.53	-	-	-	-	-	-	-	-	-	-	-	-
6840	1206	470	0.21	551	0.39	636	0.64	721	0.94	801	1.29	-	-	-	-	-	-	-	-
7980	1407	549	0.33	615	0.52	687	0.78	763	1.10	835	1.47	906	1.87	-	-	-	-	-	-
9120	1608	627	0.49	686	0.71	748	0.98	809	1.29	878	1.68	940	2.09	1003	2.54	-	-	-	-
10260	1810	705	0.69	759	0.94	812	1.22	867	1.55	923	1.93	984	2.37	1040	2.83	1150	3.83	-	-
11400	2011	783	0.95	832	1.22	877	1.51	929	1.86	978	2.25	1029	2.67	1084	3.16	1185	4.20	1284	5.32
12540	2212	862	1.26	907	1.56	948	1.87	993	2.23	1039	2.64	1082	3.05	1130	3.53	1227	4.61	1319	5.78
13680	2413	940	1.64	981	1.96	1020	2.30	1057	2.65	1102	3.09	1143	3.53	1182	3.98	1272	5.08	1359	6.29
14820	2614	1018	2.08	1057	2.43	1093	2.79	1127	3.16	1165	3.59	1205	4.06	1243	4.55	1318	5.59	1404	-
15960	2815	1096	2.59	1132	2.97	1167	3.37	1199	3.76	1230	4.16	1269	4.67	1305	5.18	1374	-	1449	-

Performance certified is for installation type A: free inlet, free outlet. Performance ratings do not include the effects of appurtenances. Power rating (BHP) does not include transmission losses.

# MBP 036 | BELT DRIVE DIMENSIONAL & PERFORMANCE DATA

Tip Speed (FPM)										Maximum BHP									
9.42 x RPM										5.59 x (RPM/1000) <sup>3</sup>									

CFM	0" SP		1/8" SP		1/4" SP		3/8" SP		1/2" SP		3/4" SP		1" SP		1 1/4" SP		1 1/2" SP	
	RPM	BHP	RPM	BHP	RPM	BHP	RPM	BHP	RPM	BHP	RPM	BHP	RPM	BHP	RPM	BHP	RPM	BHP
4332	180	0.03	316	0.17	426	0.4	-	-	-	-	-	-	-	-	-	-	-	-
5776	240	0.06	342	0.22	441	0.47	524	0.77	-	-	-	-	-	-	-	-	-	-
7220	300	0.12	379	0.3	465	0.56	542	0.88	612	1.24	-	-	-	-	-	-	-	-
8664	360	0.21	426	0.41	495	0.68	566	1.01	631	1.39	745	2.25	851	3.22	-	-	-	-
10108	420	0.34	477	0.56	533	0.83	594	1.17	656	1.58	765	2.47	864	3.48	954	4.58	-	-
1152	480	0.51	530	0.76	579	1	631	1.39	683	1.78	789	2.74	882	3.78	969	4.92	1048	6.14
12996	540	0.72	585	1	628	1.3	672	1.65	79	2.07	814	3.01	905	4.13	987	5.31	1065	6.58
14440	600	0.99	641	1.3	679	1.62	719	1.99	759	2.39	844	3.35	930	4.5	1010	5.74	1083	7.05
15884	660	1.32	698	1.65	733	2	768	2.39	804	2.8	880	3.79	956	4.87	1035	6.2	1108	7.57
17328	720	1.72	755	2.08	787	2.45	819	2.85	852	3.29	918	4.26	991	5.42	1061	6.67	-	-
18772	780	2.18	813	2.57	842	2.97	872	3.4	902	3.85	963	4.85	1027	6.01	1093	7.28	-	-
20216	840	2.73	871	3.15	899	3.57	926	4.02	953	4.49	1009	5.51	1066	6.66	-	-	-	-

Performance certified is for installation type A: free inlet, free outlet. Performance ratings do not include the effects of appurtenances. Power rating (BHP) does not include transmission losses.

# MBP 042 | BELT DRIVE DIMENSIONAL & PERFORMANCE DATA

Tip Speed (FPM)								Maximum BHP							
11.00 x RPM								12.08 x (RPM/1000) <sup>3</sup>							

CFM	0" SP		1/8" SP		1/4" SP		3/8" SP		1/2" SP		3/4" SP		1" SP		1 1/4" SP		1 1/2" SP	
	RPM	BHP	RPM	BHP	RPM	BHP	RPM	BHP	RPM	BHP	RPM	BHP	RPM	BHP	RPM	BHP	RPM	BHP
5892	154	0.04	270	0.24	365	0.55	-	-	-	-	-	-	-	-	-	-	-	-
7856	206	0.09	293	0.3	378	0.64	449	1.04	-	-	-	-	-	-	-	-	-	-
9820	257	0.17	325	0.41	399	0.76	464	1.2	524	1.68	-	-	-	-	-	-	-	-
11784	308	0.29	365	0.56	424	0.92	48	1.38	541	1.9	640	3.05	730	4.38	-	-	-	-
13748	360	0.46	408	0.76	457	1.13	509	1.59	562	2.14	655	3.37	740	4.73	818	6.23	-	-
15712	411	0.69	454	1.03	496	1.42	540	1.89	585	2.42	676	3.72	756	5.15	830	6.7	898	8.36
17676	463	0.98	501	1.35	538	1.77	576	2.25	616	2.81	698	4.1	776	5.61	846	7.22	913	8.95
19640	514	1.35	549	1.76	582	2.2	616	2.7	650	3.25	723	4.56	797	6.12	866	7.8	929	9.59
21604	566	1.8	598	2.25	628	2.72	658	3.24	689	3.81	754	5.15	819	6.63	887	8.43	949	10.3
23568	617	2.33	647	2.82	674	3.33	702	3.87	730	4.47	787	5.79	849	7.39	909	9.07	-	-
25532	668	2.97	696	3.5	722	4.04	747	4.62	773	5.23	825	6.59	880	8.17	936	9.89	-	-
27496	720	3.7	746	4.28	770	4.85	793	5.46	817	6.1	865	7.49	914	9.05	-	-	-	-

Performance certified is for installation type A: free inlet, free outlet. Performance ratings do not include the effects of appurtenances. Power rating (BHP) does not include transmission losses.

# MBP 048 | BELT DRIVE DIMENSIONAL & PERFORMANCE DATA

Tip Speed (FPM)								Maximum BHP							
12.57 x RPM								23.54 x (RPM/1000) <sup>3</sup>							

CFM	0" SP		1/8" SP		1/4" SP		3/8" SP		1/2" SP		3/4" SP		1" SP		1 1/4" SP		1 1/2" SP	
	RPM	BHP	RPM	BHP	RPM	BHP	RPM	BHP	RPM	BHP	RPM	BHP	RPM	BHP	RPM	BHP	RPM	BHP
7698	135	0.05	237	0.31	319	0.71	-	-	-	-	-	-	-	-	-	-	-	-
10264	180	0.11	256	0.4	331	0.84	393	1.36	-	-	-	-	-	-	-	-	-	-
12830	225	0.22	284	0.53	349	1	406	1.57	459	2.2	-	-	-	-	-	-	-	-
15396	270	0.38	319	0.73	371	1.2	425	1.8	473	2.48	560	3.99	638	5.72	-	-	-	-
17962	315	0.61	357	1	400	1.48	446	2.08	492	2.8	574	4.4	648	6.18	716	8.14	-	-
20528	360	0.9	398	1.34	434	1.85	473	2.47	512	3.16	592	4.86	661	6.72	726	8.75	786	10.9
23094	405	1.29	439	1.77	471	2.32	504	2.94	539	3.67	610	5.36	679	7.33	740	9.4	799	11.7
25660	450	1.76	481	2.3	509	2.88	539	3.53	569	4.24	633	5.96	697	7.99	758	10.2	812	12.5
28226	495	2.35	523	2.94	550	3.56	576	4.24	603	4.98	660	6.73	717	8.66	776	11	831	13.4
30792	540	3.05	566	3.69	590	4.35	614	5.06	639	5.84	688	7.56	743	9.62	795	11.8	-	-
33358	585	3.88	609	4.57	632	5.27	654	6.03	676	6.84	722	8.61	770	10.7	819	12.9	-	-
35924	630	4.84	653	5.59	674	6.34	694	7.14	715	7.97	757	9.79	800	11.8	-	-	-	-

Performance certified is for installation type A: free inlet, free outlet. Performance ratings do not include the effects of appurtenances. Power rating (BHP) does not include transmission losses.

# MBP 054 | BELT DRIVE DIMENSIONAL & PERFORMANCE DATA

Tip Speed (FPM)									Maximum BHP								
14.14 x RPM									42.43 x (RPM/1000) <sup>3</sup>								

CFM	0" SP		1/8" SP		1/4" SP		3/8" SP		1/2" SP		3/4" SP		1" SP		1 1/4" SP		1 1/2" SP	
	RPM	BHP	RPM	BHP	RPM	BHP	RPM	BHP	RPM	BHP	RPM	BHP	RPM	BHP	RPM	BHP	RPM	BHP
9744	120	0.06	210	0.39	284	0.9	-	-	-	-	-	-	-	-	-	-	-	-
12992	160	0.14	228	0.5	294	1.06	349	1.73	-	-	-	-	-	-	-	-	-	-
16240	200	0.28	253	0.67	310	1.26	361	1.98	408	2.78	-	-	-	-	-	-	-	-
19488	240	0.48	284	0.92	330	1.52	378	2.28	421	3.14	498	5.05	568	7.23	636	10.3	-	-
22736	280	0.77	318	1.26	355	1.87	396	2.63	437	3.55	510	5.57	576	7.82	646	11.1	-	-
25984	320	1.14	353	1.7	386	2.34	420	3.12	455	4	526	6.15	588	8.51	658	11.9	699	13.8
29232	30	1.63	390	2.24	419	2.93	448	3.72	479	4.65	543	6.78	603	9.28	674	12.9	710	14.8
32480	400	2.23	427	2.91	453	3.65	479	4.46	506	5.38	563	7.54	620	10.1	690	13.9	722	15.9
35728	440	2.97	465	3.72	489	4.51	512	5.37	536	6.31	587	8.51	637	11	707	15	739	17
38976	480	3.86	503	4.67	525	5.51	546	6.41	568	7.39	612	9.57	660	12.2	728	16.4	-	-
42224	520	4.91	542	5.79	561	6.68	581	7.64	601	8.65	642	10.9	685	13.5	-	-	-	-
45472	560	6.13	580	7.08	599	8.03	617	9.04	635	10.1	673	12.4	711	15	-	-	-	-

Performance certified is for installation type A: free inlet, free outlet. Performance ratings do not include the effects of appurtenances. Power rating (BHP) does not include transmission losses.

# MBP 060 | BELT DRIVE DIMENSIONAL & PERFORMANCE DATA

Tip Speed (FPM)									Maximum BHP								
15.71 x RPM									71.85 x (RPM/1000) <sup>3</sup>								

CFM	0" SP		1/8" SP		1/4" SP		3/8" SP		1/2" SP		3/4" SP		1" SP		1 1/4" SP		1 1/2" SP	
	RPM	BHP	RPM	BHP	RPM	BHP	RPM	BHP	RPM	BHP	RPM	BHP	RPM	BHP	RPM	BHP	RPM	BHP
12030	108	0.07	189	0.48	255	1.12	-	-	-	-	-	-	-	-	-	-	-	-
16040	144	0.18	205	0.62	264	1.31	314	2.13	-	-	-	-	-	-	-	-	-	-
20050	180	0.34	228	0.83	279	1.56	325	2.45	367	3.44	-	-	-	-	-	-	-	-
24060	216	0.6	256	1.14	297	1.88	340	2.82	379	3.87	448	6.24	511	8.93	-	-	-	-
28070	252	0.95	286	1.56	320	2.31	356	3.25	393	4.38	459	6.87	518	9.66	573	12.7	-	-
32080	288	1.41	318	2.1	347	2.89	378	3.86	410	4.94	473	7.6	529	10.5	581	13.7	629	17.1
36090	324	2.01	351	2.77	377	3.62	403	4.59	432	5.74	488	8.37	543	11.5	592	14.7	639	18.3
40100	360	2.76	385	3.6	408	4.5	431	5.51	455	6.64	506	9.31	558	12.5	606	15.9	650	19.6
44110	396	3.67	419	4.59	440	5.56	461	6.62	482	7.78	528	10.5	573	13.5	621	17.2	665	21
48120	432	4.77	453	5.77	472	6.8	491	7.91	511	9.13	551	11.8	594	15	636	18.5	-	-
52130	468	6.06	488	7.15	505	8.24	523	9.43	541	10.7	578	13.5	616	16.7	656	20.2	-	-
56140	504	7.57	522	8.74	539	9.92	556	11.2	572	12.5	605	15.3	640	18.5	-	-	-	-

Performance certified is for installation type A: free inlet, free outlet. Performance ratings do not include the effects of appurtenances. Power rating (BHP) does not include transmission losses.



# MBP 072 | BELT DRIVE DIMENSIONAL & PERFORMANCE DATA

Tip Speed (FPM)	Maximum BHP
18.85 x RPM	178.80 x (RPM/1000) <sup>3</sup>

CFM	0" SP		1/8" SP		1/4" SP		3/8" SP		1/2" SP		3/4" SP		1" SP		1 1/4" SP		1 1/2" SP	
	RPM	BHP	RPM	BHP	RPM	BHP	RPM	BHP	RPM	BHP	RPM	BHP	RPM	BHP	RPM	BHP	RPM	BHP
17322	90	0.11	158	0.7	213	1.61	-	-	-	-	-	-	-	-	-	-	-	-
23096	120	0.25	171	0.89	220	1.89	262	3.07	-	-	-	-	-	-	-	-	-	-
2870	150	0.5	190	1.2	232	2.25	271	3.52	306	4.95	-	-	-	-	-	-	-	-
34644	180	0.86	213	1.64	248	2.71	283	4.06	315	5.58	373	8.98	-	-	-	-	-	-
40418	210	1.36	238	2.24	267	3.33	297	4.68	328	6.3	382	9.9	-	-	-	-	-	-
46192	240	2.03	365	3.02	289	4.16	315	5.55	342	7.12	384	10.9	-	-	-	-	-	-
51966	270	2.9	292	3.98	314	5.21	336	6.61	360	8.26	407	12.1	-	-	-	-	-	-
57740	300	3.97	320	5.18	340	6.48	359	7.94	379	9.56	422	13.4	-	-	-	-	-	-
63514	330	5.29	349	6.61	366	8.01	384	9.54	402	11.2	-	-	-	-	-	-	-	-
69288	360	6.86	377	8.31	394	9.79	409	11.4	426	13.1	-	-	-	-	-	-	-	-
75062	390	8.73	406	10.3	421	11.9	-	-	-	-	-	-	-	-	-	-	-	-
80836	420	10.9	-	-	-	-	-	-	-	-	-	-	-	-	-	-	-	-

Performance certified is for installation type A: free inlet, free outlet. Performance ratings do not include the effects of appurtenances. Power rating (BHP) does not include transmission losses.

# PENNBARRY PRODUCT SOLUTIONS



## Commercial

- Roof & wall exhaust centrifugal fans
- Ceiling, wall, & inline centrifugal fans
- Roof supply centrifugal fans
- Square & round centrifugal fans
- Wall mounted axial fans
- Hooded roof axial fans
- Upblast roof axial fans
- Gravity ventilators
- Roof curbs



## Industrial

- Freestanding centrifugal fans
- Industrial & material handling fans
- Tubular centrifugal inline fans
- Mixed flow centrifugal fans
- Plug & plenum fans
- Wall mounted propeller fans
- Tube axial fans
- Vane axial fans
- Bifurcator fans
- Lab exhaust



## Kitchen ventilation

- Make-up air units
- Exhaust fans



## Energy recovery

- Outdoor units
- Indoor units

PennBarry is proud to be your preferred manufacturer of commercial and industrial fans and blowers. Learn how PennBarry can assist you in your next application by contacting your PennBarry Representative or visiting us on the web at [www.pennbarry.com](http://www.pennbarry.com)

PennBarry | [www.pennbarry.com](http://www.pennbarry.com) | [pennbarrysales@pennbarry.com](mailto:pennbarrysales@pennbarry.com) | Tel 972 212 4700 | Fax 972 212 4702

PennBarry reserves the right to make changes at any time, without notice, to models, construction, specifications, options and availability. This document illustrates the appearance of PennBarry products at the time of publication. View the latest updates on the PennBarry website.

© 2018 PennBarry. All rights reserved. WALL PROPELLER FANS DECEMBER 2018.



PENNBARRY™